

Organized by :



In Cooperation with :



Supported by :



**This is to certify that**

**Muhammad Zubair Muis Alie**

---

**in grateful recognition of  
PRESENTER**

**in ISOCEEN 2017  
"The 5<sup>th</sup> International Seminar on Ocean and Coastal Engineering,  
Environmental and Natural Disaster Management"  
Surabaya, November 8<sup>th</sup> 2017**

**Suntoyo, Ph.D  
CHAIRMAN**





Muhammad Zubair Muis Alie, Ph.D <zubair.m@eng.unhas.ac.id>

---

## Urgent : final Isoceen publication process

---

isoceen@its.ac.id <isoceen@its.ac.id>  
To: zubair.m@eng.unhas.ac.id

Thu, Jun 7, 2018 at 11:33 PM

Dear, All Participants of Isoceen 2017

Relating to the final publication process of Isoceen 2017, please note some important points below :

1. Check the final Pdf of your paper below
2. fill and sign the Publication Right Form. This form should be signed by at least 1 author, and scan this form in .pdf file.

Please re-send your scanned Publication Right form.PDF, max. 8 June 2018, at 24.00.

Due to the limited remaining time of publication deadline from MATEC, we hope your cooperation to compromise it.

Thank you

Isoceen Committee

Institut Teknologi Sepuluh Nopember (ITS)  
<http://www.its.ac.id>

---

### 2 attachments

 **publication\_right\_form.pdf**  
169K

 **isoceen2017\_01007.pdf**  
1004K



Muhammad Zubair Muis Alie, Ph.D <zubair.m@eng.unhas.ac.id>

---

## Urgent : final Isoceen publication process

---

isoceen@its.ac.id <isoceen@its.ac.id>  
To: zubair.m@eng.unhas.ac.id

Thu, Jun 7, 2018 at 11:33 PM

Dear, All Participants of Isoceen 2017

Relating to the final publication process of Isoceen 2017, please note some important points below :

1. Check the final Pdf of your paper below
2. fill and sign the Publication Right Form. This form should be signed by at least 1 author, and scan this form in .pdf file.

Please re-send your scanned Publication Right form.PDF, max. 8 June 2018, at 24.00.

Due to the limited remaining time of publication deadline from MATEC, we hope your cooperation to compromise it.

Thank you

Isoceen Committee

Institut Teknologi Sepuluh Nopember (ITS)  
<http://www.its.ac.id>

---

### 2 attachments

 **publication\_right\_form.pdf**  
169K

 **isoceen2017\_01007.pdf**  
1004K

# Comparative Study of Structural Geometric to the Ultimate Strength on Fixed Jacket Platform

Muhammad Zubair Muis Alie<sup>1,\*</sup>, Icon Yan Franchover Obednego<sup>1</sup>, Achmad Yasir Baeda<sup>1</sup>, Taufiqur Rachman<sup>1</sup>, and Juswan<sup>1</sup>

<sup>1</sup>Hasanuddin University, Engineering Faculty, Department of Ocean Engineering, 92172 Gowa, South Sulawesi, Indonesia

**Abstract.** The brace configuration plays an important role to the ultimate strength of fixed jacket platform. The braces against the combined load in vertical and horizontal direction. In the present study, the ultimate strength of the fixed jacket platform is analysed considering the shape of the structural geometric. Four types of brace configuration namely, K, N, X and Y are taken to be assessed. Dimensions of the structure are constant including properties and materials. The boundary conditions are assumed to be fixed at the bottom part. The Non-Linear Finite Element Analysis (NLFEA) is adopted to calculate the ultimate strength of the structure and those results of brace configuration are compared with one another and discussed in the present study.

## 1 Introduction

Jacket platform is one of the common offshore platforms which are used at shallow and middle water. Generally, the structure has three to eight of leg because it has a good stability against the axial and lateral loads. The structure consists of three components; those are deck, jacket and pile. Deck is structural component located above water line, while jacket and pile are submerged into the water. The supported structure called jacket which functioned for exploration and other activities.

The ultimate strength has been assessed by many researches. The configuration effect of the symmetrical and unsymmetrical shape tubular member in buckling strength on fixed offshore platform has been discussed by [1]. Two kinds of offshore structures were taken to be considered in the analysis. The axial and lateral loads were imposed to jacket legs and other structural components. The material and dimensions were assumed to be constant and homogeneous. The boundary conditions were idealized to be fixed at bottom level. To assess buckling strength, the Finite Element Method (FEM) was used. Buckling and fatigue strength were assessed for jacket structures under symmetrical and unsymmetrical configuration shape. The Finite Element Method (FEM) was adopted to calculate those structures. The result obtained by Finite Element Analysis was compared with the analytical solution. In addition, the Response Amplitude Operator (RAO) was applied to

---

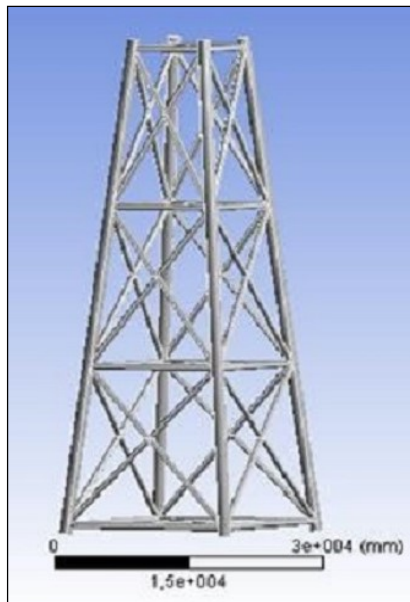
\* Corresponding author: [zubair.m@eng.unhas.ac.id](mailto:zubair.m@eng.unhas.ac.id)

obtain fatigue life [2]. A closed-form prediction of buckling stress in local mode, including interaction of connected elements, and distortional mode, including consideration of the elastic and geometric stiffness at the web/flange juncture was conducted [3]. A mathematical model for slip buckling and its analytical solution has been founded for the analysis of layered and geometrically perfect composite columns with inter-layer slip between the layers was proposed [4]. Also, buckling of non-uniform column was analysed using Finite Element Analysis [5]. A research and development project for structural bamboo species were investigated [6].

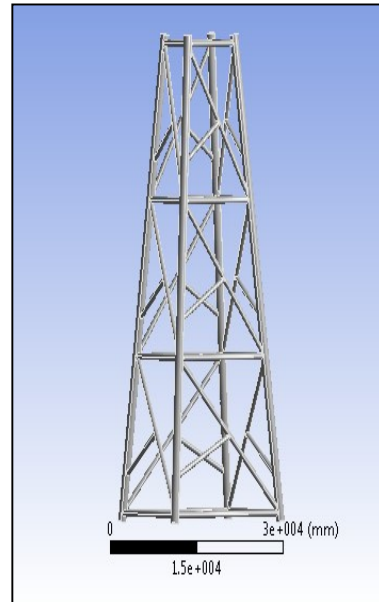
In the present study, the ultimate strength is analysed using Finite Element Method considering the configuration shape on the jacket platform. Four types of braces namely K, N, X and Y. Dimensions of the structure are constant including properties and materials. The boundary conditions are assumed to be fixed at seabed. The results of brace configuration are compared with one another.

## 2 Finite Element Modelling

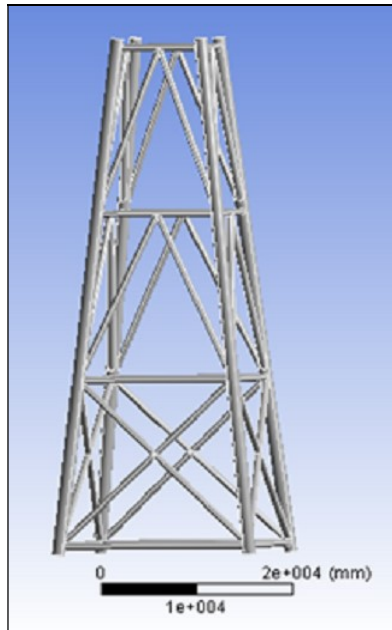
The finite element modelling of those structures considering the shape difference of the brace configurations X, Y, K and N are described in Fig. 1. The material and section properties are set to be constant. Depth and dimension of those structures are also constant. The braces configurations of those structures are illustrated in Figure 1. It should be noted that the boundary conditions at the end support on the seabed are fixed.



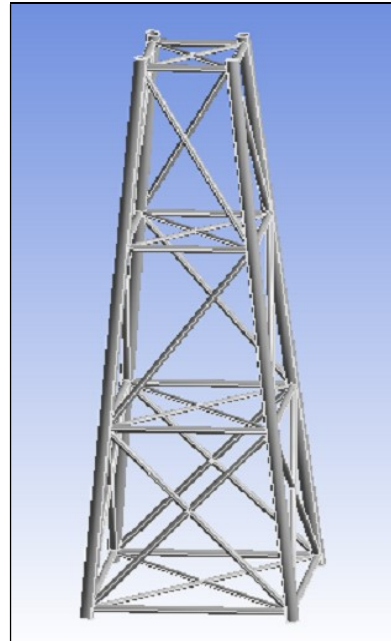
(a) Brace X



(b) Brace Y



(c) Brace K

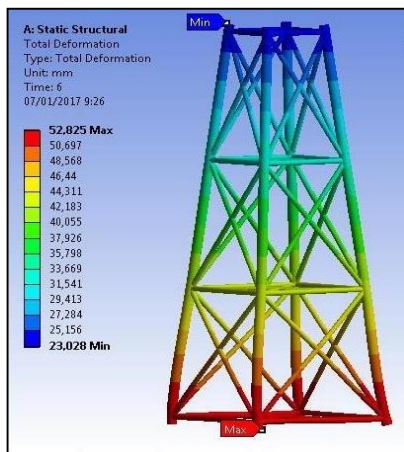


(d) Brace N

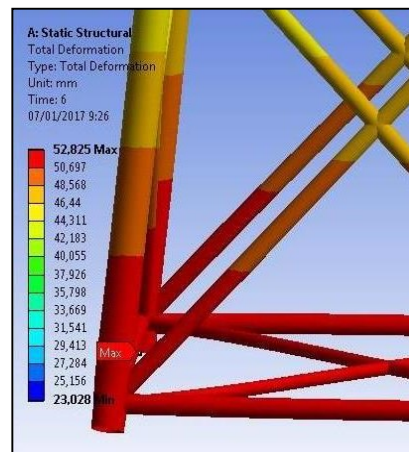
Fig. 1. Braces Configurations of Fixed Offshore Platform

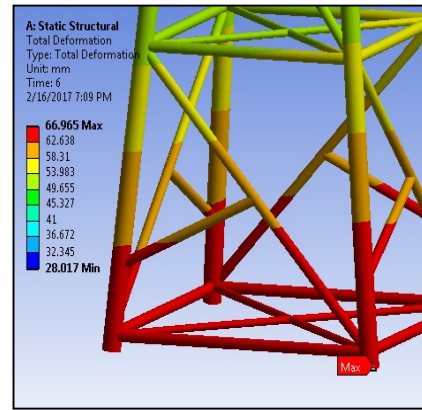
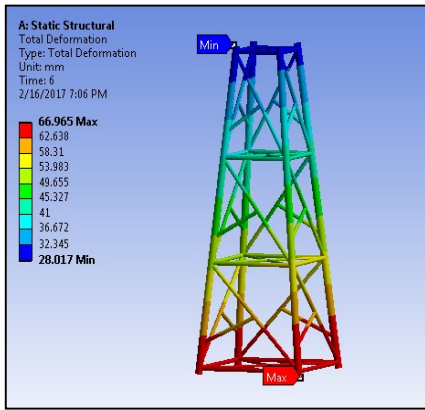
### 3 Results and Discussions

The deformation of those structures are shown in Fig. 2. It is generally observed that the maximum deformations are located near the lower part.

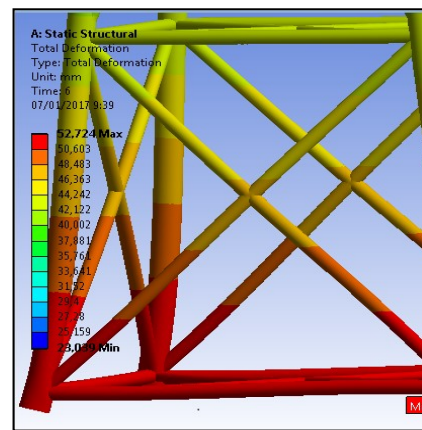
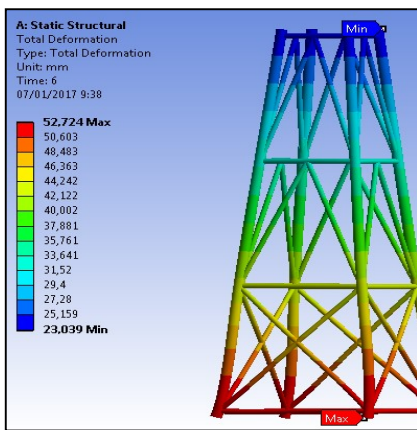


(a) Brace X

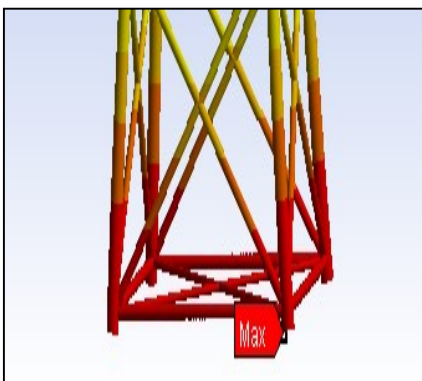
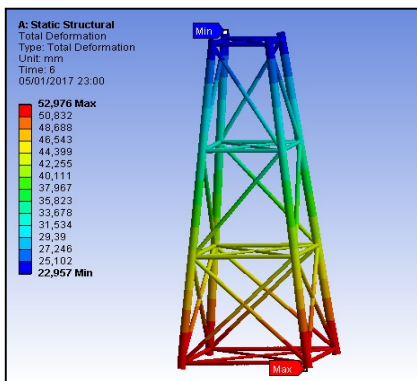




(b) Brace Y



(c) Brace K



(d) Brace N

**Fig. 2.** Deformations of the Structure

The maximum deformations concentrate at local part as illustrated in Fig. 2. It should be noted that the end support of the jacket legs are assumed to be fixed. The stress-strain curve relationship obtained by Finite Element Analysis for four type of fixed offshore platform are shown in Fig.3. The axial force is applied to those structure and it is distributed to all jacket legs. The stress-strain relationship of each structure with brace configuration X, Y, K and N are identical in elastic region. For plastic, the stress-strain relationship for brace-Y is significantly increased compare to brace K, N and X. The stress-strain curve of brace-Y may be caused by the configuration of the structural braces above of the Brace-X component at the lower part. It is known that the Brace-X at lower part of those structures are identical. However, the above configurations of those structures are totally different with one another. The stress-strain curve of brace-X of the structure is smaller, than followed by Brace-N, Brace-K and Brace-Y. This may due to the brace-X is more rigid for the structural component when the structure againts the vertical loading even the horizontal loading is applied to the structure. According to the result shows that the brace-Y gives larger stress compares to the others which is better for design purpose.

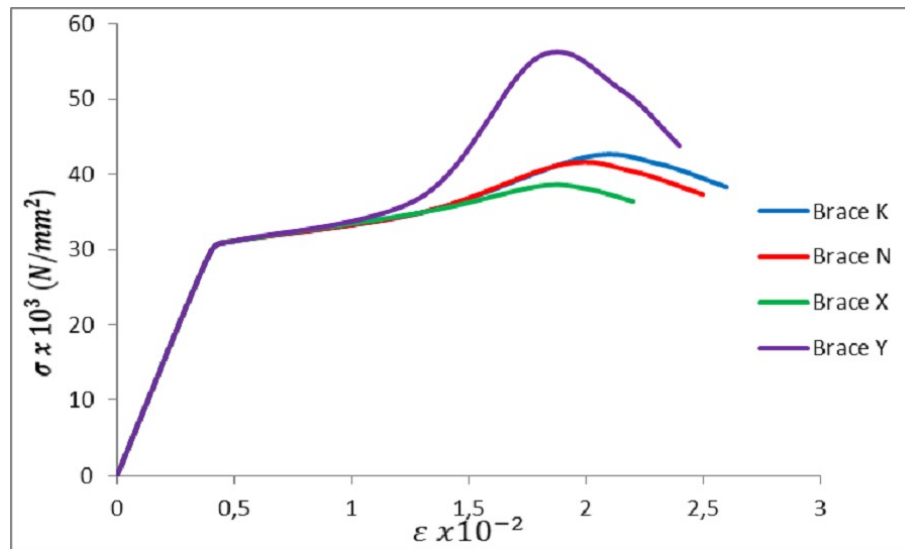


Fig. 3. Stress-strain Curve Relationship

## 4 Conclusions

The ultimate strength of brace-Y is significant difference compare to X, K and N braces. This phenomenon indicated by the stress-strain relationship of those structures. The characteristics of those structure both deformations and stress-strain relationship are caused by the configuration shape of the braces located at the middle and upper part.

## References

1. Muis Alie, M.Z, Juswan, Daud, S, Sriadi, W.T, Ratnawati. Proceeding ISOPE. 1365-1371, (2015).
2. Muis Alie, M.Z, Int. J. of Technology, 1107-1116, (2016).
3. Schafer, B. W, J. of Structural Engineering, 289-299, (2002)

4. Kryzanowski, A et al, *Int. J. of Solids and Structure*, 2929-2938 (2009).
5. Iremonger, M.J, *J. Computer and Structures*, 741-748 (1980).
6. Yu, W.K et al, *J. of Engineering Structures*, 755-768 (2003).

## License Agreement

In submitting an article to *Web of Conferences*, I grant EDP Sciences a license to publish the article, and identify EDP Sciences as the original publisher. I certify to the Publisher that:

1. I am authorized by my co-authors to enter into these arrangements.
2. I warrant, on behalf of myself and my co-authors, that:
  - the document is original, has not been formally published in any other journal, is not under consideration by any other journal and does not infringe any existing copyright or any other third party rights;
  - I am/we are the sole author(s) of the article and have full authority to enter into this agreement and in granting rights to the Publisher that are not in breach of any other obligation.
  - the document contains nothing that is unlawful, libelous, or which would, if published, constitute a breach of contract or of confidence or of commitment given to secrecy;
  - I/we have taken due care to ensure the integrity of the article. To my/our – and currently accepted scientific – knowledge all statements contained in it purporting to be facts are true and any formula or instruction contained in the article will not, if followed accurately, cause any injury, illness or damage to the user.
3. I agree to the Creative Commons Attribution License (<http://creativecommons.org/licenses/by/4.0/>).

Title of the conference

.....

Title of the article

.....

Author(s)

.....

.....

Author's signature

Date



Muhammad Zubair Muis Alie, Ph.D <zubair.m@eng.unhas.ac.id>

---

## Isoceen 2017, Reminder

---

isoceen@its.ac.id <isoceen@its.ac.id>

Tue, Nov 7, 2017 at 11:50 AM

To: ahmadzakki@undip.ac.id, muhammadrinoathoillah@gmail.com, muhammad.ichsan13@mhs.oe.its.ac.id, murdjito.rasiman@gmail.com, sulisea@na.its.ac.id, intan.baroroh@hangtuah.ac.id, fdanny30@yahoo.com, rudiwp@oe.its.ac.id, zubair.m@eng.unhas.ac.id, mzikro@gmail.com, armono@oe.its.ac.id, eddy-koen@its.ac.id, hartono.yudo@yahoo.com, hermankelautan@gmail.com, luckauhl998@gmail.com, wazirotus.sakinah@gmail.com, engkiandri@hangtuah.ac.id, zainulhidayah@trunojoyo.ac.id, herisw@petra.ac.id, hikhwani@oe.its.ac.id, tiyasdina6@gmail.com, mukhtasor\_isp@yahoo.com, Mauludiyah@uinsby.ac.id, yoyoksetyo@gmail.com, nurul.rosana@hangtuah.ac.id, Eva.denboer@hotmail.com, yaninurita@gmail.com, k\_suastika@na.its.ac.id, ratna.tiundip@gmail.com, guruh@geodesy.its.ac.id

Dear, All Participants of ISOCEEN 2017

We are delighted to remind you about The 5th International Seminar on Ocean and Coastal Engineering, Environmental and Natural Disaster Management (ISOCEEN) 2017 on Wednesday, 8th November 2017.

For participants who have not paid the registration fee yet, you can still do it today or tomorrow (by cash only) in the registration table.

We are pleased to see you tomorrow in the seminar venue (Swiss Belinn Manyar Hotel, Jl. Manyar Kertoarjo No.100, Manyar Sabrangan, Mulyorejo, Surabaya, Jawa Timur 60231  
Phone: (031) 5946868)

Please find the schedule attached below.

Thank you

Isoceen Committee

Institut Teknologi Sepuluh Nopember (ITS)

<http://www.its.ac.id>

---

 **Isoceen 2017 Schedule, Wednesday, 8 November 2017.pdf**  
109K



Muhammad Zubair Muis Alie, Ph.D <zubair.m@eng.unhas.ac.id>

---

## Isoceen 2017, Reminder

---

isoceen@its.ac.id <isoceen@its.ac.id>

Tue, Nov 7, 2017 at 11:50 AM

To: ahmadzakki@undip.ac.id, muhammadrinoathoillah@gmail.com, muhammad.ichsan13@mhs.oe.its.ac.id, murdjito.rasiman@gmail.com, sulisea@na.its.ac.id, intan.baroroh@hangtuah.ac.id, fdanny30@yahoo.com, rudiwp@oe.its.ac.id, zubair.m@eng.unhas.ac.id, mzikro@gmail.com, armono@oe.its.ac.id, eddy-koen@its.ac.id, hartono.yudo@yahoo.com, hermankelautan@gmail.com, luckauhl998@gmail.com, wazirotus.sakinah@gmail.com, engkiandri@hangtuah.ac.id, zainulhidayah@trunojoyo.ac.id, herisw@petra.ac.id, hikhwani@oe.its.ac.id, tiyasdina6@gmail.com, mukhtasor\_isp@yahoo.com, mauludiyah@uinsby.ac.id, yoyoksetyo@gmail.com, nurul.rosana@hangtuah.ac.id, Eva.denboer@hotmail.com, yaninurita@gmail.com, k\_suastika@na.its.ac.id, ratna.tiundip@gmail.com, guruh@geodesy.its.ac.id

Dear, All Participants of ISOCEEN 2017

We are delighted to remind you about The 5th International Seminar on Ocean and Coastal Engineering, Environmental and Natural Disaster Management (ISOCEEN) 2017 on Wednesday, 8th November 2017.

For participants who have not paid the registration fee yet, you can still do it today or tomorrow (by cash only) in the registration table.

We are pleased to see you tomorrow in the seminar venue (Swiss Belinn Manyar Hotel, Jl. Manyar Kertoarjo No.100, Manyar Sabrangan, Mulyorejo, Surabaya, Jawa Timur 60231  
Phone: (031) 5946868)

Please find the schedule attached below.

Thank you

Isoceen Committee

Institut Teknologi Sepuluh Nopember (ITS)

<http://www.its.ac.id>

---

 **Isoceen 2017 Schedule, Wednesday, 8 November 2017.pdf**  
109K



Muhammad Zubair Muis Alie, Ph.D <zubair.m@eng.unhas.ac.id>

---

## Congratulations!

---

isoceen@its.ac.id <isoceen@its.ac.id>

Mon, Oct 30, 2017 at 10:25 AM

To: bair\_offshore@yahoo.co.id, zubair.m@eng.unhas.ac.id

Cc: nirmanaim@gmail.com

Congratulations!

We are pleased to inform that your manuscript has been accepted by the technical committee for oral presentation in the ISOCEEN 2017, Surabaya.

Thanking you very much for your participation.

We look forward to your participation in the ISOCEEN 2017.

Best Regards,

Chairman of ISOCEEN 2017

Institut Teknologi Sepuluh Nopember (ITS)

<http://www.its.ac.id>

---

### 3 attachments



**LOA Muhammad Zubair Muis Alie.pdf**

176K



**Invoice Muhammad Zubair Muis Alie.pdf**

178K



**KWITANSI.pdf**

172K



Muhammad Zubair Muis Alie, Ph.D <zubair.m@eng.unhas.ac.id>

---

## Congratulations!

---

**isoceen@its.ac.id** <isoceen@its.ac.id>

Mon, Oct 30, 2017 at 10:25 AM

To: bair\_offshore@yahoo.co.id, zubair.m@eng.unhas.ac.id

Cc: nirmanaim@gmail.com

Congratulations!

We are pleased to inform that your manuscript has been accepted by the technical committee for oral presentation in the ISOCEEN 2017, Surabaya.

Thanking you very much for your participation.

We look forward to your participation in the ISOCEEN 2017.

Best Regards,

Chairman of ISOCEEN 2017

Institut Teknologi Sepuluh Nopember (ITS)

<http://www.its.ac.id>

---

### 3 attachments



**LOA Muhammad Zubair Muis Alie.pdf**

176K



**Invoice Muhammad Zubair Muis Alie.pdf**

178K



**KWITANSI.pdf**

172K



**The 5<sup>th</sup> International Seminar on Ocean and Coastal Engineering,  
Environmental and Natural Disaster Management**

**INVOICE of ISOCEEN 2017**

Dear Author: Muhammad Zubair Muis Alie

Date : 27<sup>th</sup> October 2017

Dear Author,

Registration Fee For International Seminar On Ocean And Coastal Engineering, Environmental And Natural Disaster Management (ISOCEEN 2017)

No	Descriptions	Price/Unit	Quantity	Amount
1	Registration Fee for ISOCEEN 2017 as Presenter Paper Title: Comparative Study of Structural Geometric to the Ultimate Strength on Fixed Offshore Platform	Rp. 2.500.000,-	1 Person	Rp. 2.500.000,-
			Total	Rp. 2.500.000,-

Payment can be made by Cash, Bank Transfer or Online Payment. All payments are payable to:

Account Holder : Agro Wisudawan  
Bank : Bank Mandiri  
Account Number : 900-00-2877384-5

Please note, bank slip, proof of payment must be emailed to [isoceen@its.ac.id](mailto:isoceen@its.ac.id) / [isoceen@gmail.com](mailto:isoceen@gmail.com)

Thanking you very much for your participation.

Best Regards,

  
**Suntoyo ST., M.Eng, PhD**  
**NIP. 197107231995121001**

**Chairman of ISOCEEN 2017**



## The 5<sup>th</sup> International Seminar on Ocean and Coastal Engineering, Environmental and Natural Disaster Management

---

### LETTER OF ACCEPTANCE

27<sup>th</sup> October 2017

**Primary Author : Muhammad Zubair Muis Alie**

**Paper Title: Comparative Study of Structural Geometric to the Ultimate Strength on Fixed Offshore Platform**

Dear Author,

Congratulations on the acceptance of your extended abstract in ISOCEEN 2017. And thank you for your interest in this great Seminar. On behalf of the Conference Committee, I would like to formally invite you to present your paper in the 5<sup>th</sup> International Seminar on Ocean and Coastal Engineering, Environment and Natural Disaster Management (ISOCEEN 2017).

**ISOCEEN 2017** aims at providing discussion forum countries to exchange their knowledge of research and development for researchers and experts in the field of Ocean, Offshore, Coastal engineering, environmental and Disaster Management

After you present your paper in the Seminar, you should complete your full paper and follow review process based on schedule (<http://isoceen.its.ac.id/submitted-paper/>). We will inform anything about this process by e-mail. So make sure you always check your email.

After the seminar, the full paper must be submitted and will be reviewed to be aligned with the requirements published in *IOP Conference Series: Earth and Environmental Science* indexed in SCOPUS. The template for full paper can be downloaded through the guidance for authors.

With this information, we will send an invoice for you. You can pay the invoice by account number which present in (<http://isoceen.its.ac.id/payment-confirmation/>).

We look forward to meet you on 8<sup>th</sup> November 2017.

Best Regards,



**Suntoyo ST., M.Eng, PhD**  
**NIP. 197107231995121001**

**Chairman of ISOCEEN 2017**



Muhammad Zubair Muis Alie, Ph.D <zubair.m@eng.unhas.ac.id>

---

## Re: Submission of ISOCEEN Full Paper (newly edited)

---

isoceen@its.ac.id <isoceen@its.ac.id>  
To: Zubair <zubair.m@eng.unhas.ac.id>

Wed, Apr 5, 2017 at 11:57 AM

Dear, Mr. Zubair

Thanks for submitting your full paper.

Now, we go to the final editing of Isoceen manuscripts.  
Actually, your paper does not conform yet with the standard template.

Please find the standard template below, and re-format your paper based on it.

We still wait your good cooperation to do submitting before 11 April 2017.

Thank you

Isoceen Committee

Institut Teknologi Sepuluh Nopember (ITS)  
<http://www.its.ac.id>



**Isoceen full paper template.docx**  
459K



Muhammad Zubair Muis Alie, Ph.D <zubair.m@eng.unhas.ac.id>

---

## Re: Submission of ISOCEEN Full Paper (newly edited)

---

isoceen@its.ac.id <isoceen@its.ac.id>  
To: Zubair <zubair.m@eng.unhas.ac.id>

Wed, Apr 5, 2017 at 11:57 AM

Dear, Mr. Zubair

Thanks for submitting your full paper.

Now, we go to the final editing of Isoceen manuscripts.  
Actually, your paper does not conform yet with the standard template.

Please find the standard template below, and re-format your paper based on it.

We still wait your good cooperation to do submitting before 11 April 2017.

Thank you

Isoceen Committee

Institut Teknologi Sepuluh Nopember (ITS)  
<http://www.its.ac.id>



**Isoceen full paper template.docx**  
459K



Muhammad Zubair Muis Alie, Ph.D <zubair.m@eng.unhas.ac.id>

---

## Isoceen : Revision Guidance

---

isoceen@its.ac.id <isoceen@its.ac.id>  
To: zubair.m@eng.unhas.ac.id

Fri, Mar 10, 2017 at 9:58 AM

dear, Mr. Muhammad Zubair Muis Ali

Thanks for have been submitting your full paper.  
Our reviewers have finished the review process.  
Please find the attachment below.

Now is the step for you to revise your paper based on the review result.  
Please read the standard template carefully and make your paper is  
suitable with the template.  
You should concern in spacing, border, table, picture, etc and also  
BIBLIOGRAPHY format.  
If your paper is not suitable with the standard format,  
it will disturb the publishing process in IOP JOURNAL.

Please, re-submit your revised paper before 31 march 2017.  
Big thanks for your good cooperation, and always keep in touch with us for  
any further information.

Isoceen Committee.

Institut Teknologi Sepuluh Nopember (ITS)  
<http://www.its.ac.id>



**muhamad zubair muis.doc**  
49K



Muhammad Zubair Muis Alie, Ph.D <zubair.m@eng.unhas.ac.id>

---

## Isoceen : Revision Guidance

---

isoceen@its.ac.id <isoceen@its.ac.id>  
To: zubair.m@eng.unhas.ac.id

Fri, Mar 10, 2017 at 9:58 AM

dear, Mr. Muhammad Zubair Muis Ali

Thanks for have been submitting your full paper.  
Our reviewers have finished the review process.  
Please find the attachment below.

Now is the step for you to revise your paper based on the review result.  
Please read the standard template carefully and make your paper is  
suitable with the template.  
You should concern in spacing, border, table, picture, etc and also  
BIBLIOGRAPHY format.  
If your paper is not suitable with the standard format,  
it will disturb the publishing process in IOP JOURNAL.

Please, re-submit your revised paper before 31 march 2017.  
Big thanks for your good cooperation, and always keep in touch with us for  
any further information.

Isoceen Committee.

Institut Teknologi Sepuluh Nopember (ITS)  
<http://www.its.ac.id>



**muhamad zubair muis.doc**  
49K



Universitas Hasanuddin

Muhammad Zubair Muis Alie, Ph.D &lt;zubair.m@eng.unhas.ac.id&gt;

---

## Isoceen Reminder

---

**isoceen@its.ac.id** <isoceen@its.ac.id>

Fri, Jan 27, 2017 at 3:45 PM

To: k\_suastika@na.its.ac.id, rudiwp@gmail.com, zubair.m@eng.unhas.ac.id, deddychrismianto@yahoo.co.id, hasaniqbaln@gmail.com, irwantri.y@gmail.com, firmanto@na.its.ac.id, yeyesmulyadi@gmail.com, ahmadfzakki@undip.ac.id, berlian@undip.ac.id, yudipro\_91@yahoo.co.id, rizkyalfidhdha@gmail.com, firman.husain@unhas.ac.id, aryadewanto@yahoo.com, madewahyuwijaya@gmail.com, khomsin95@yahoo.com, septia.rahmadianto@gmail.com, deffi.sari@bakrie.ac.id, nurul.rosana@hangtuah.ac.id, silvianita.pc@gmail.com, hasanudinits@gmail.com, hermanp@oe.its.ac.id, yoyoksetyo@oe.its.ac.id, ahmadfzakki@yahoo.com, agrowisudawan@gmail.com, suntoyo@gmail.com, marchad\_dr@mail.com

Dear, All

We are still waiting for your full paper which conform with the template.  
For your easiness, we would like to wait your full paper until

15 FEBRUARY 2017.

Please pay attention for the deadline of ISOCEEN full paper submission.

We wait for your submission before

Big thanks for your cooperation.

Isoceen Committee

Institut Teknologi Sepuluh Nopember (ITS)  
<http://www.its.ac.id>

**Isoceen full paper template.docx**

459K



Universitas Hasanuddin

Muhammad Zubair Muis Alie, Ph.D &lt;zubair.m@eng.unhas.ac.id&gt;

---

## Isoceen Reminder

---

**isoceen@its.ac.id** <isoceen@its.ac.id>

Fri, Jan 27, 2017 at 3:45 PM

To: k\_suastika@na.its.ac.id, rudiwp@gmail.com, zubair.m@eng.unhas.ac.id, deddychrismianto@yahoo.co.id, hasaniqbaln@gmail.com, irwantri.y@gmail.com, firmanto@na.its.ac.id, yeyesmulyadi@gmail.com, ahmadfzakki@undip.ac.id, berlian@undip.ac.id, yudipro\_91@yahoo.co.id, rizkyalfidhdha@gmail.com, firman.husain@unhas.ac.id, aryadewanto@yahoo.com, madewahyuwijaya@gmail.com, khomsin95@yahoo.com, septia.rahmadianto@gmail.com, deffi.sari@bakrie.ac.id, nurul.rosana@hangtuah.ac.id, silvianita.pc@gmail.com, hasanudinits@gmail.com, hermanp@oe.its.ac.id, yoyoksetyo@oe.its.ac.id, ahmadfzakki@yahoo.com, agrowisudawan@gmail.com, suntoyo@gmail.com, marchad\_dr@mail.com

Dear, All

We are still waiting for your full paper which conform with the template.  
For your easiness, we would like to wait your full paper until

15 FEBRUARY 2017.

Please pay attention for the deadline of ISOCEEN full paper submission.

We wait for your submission before

Big thanks for your cooperation.

Isoceen Committee

Institut Teknologi Sepuluh Nopember (ITS)  
<http://www.its.ac.id>

**Isoceen full paper template.docx**

459K